



Warming-up talk

Tomohiro Uesaka

RIKEN Nishina Center

Dineutron and α correlation

Questions of (personal) interests

How ubiquitous are the correlations?

What are roles played by the (excited) core?

Possible impact to nuclear EoS.

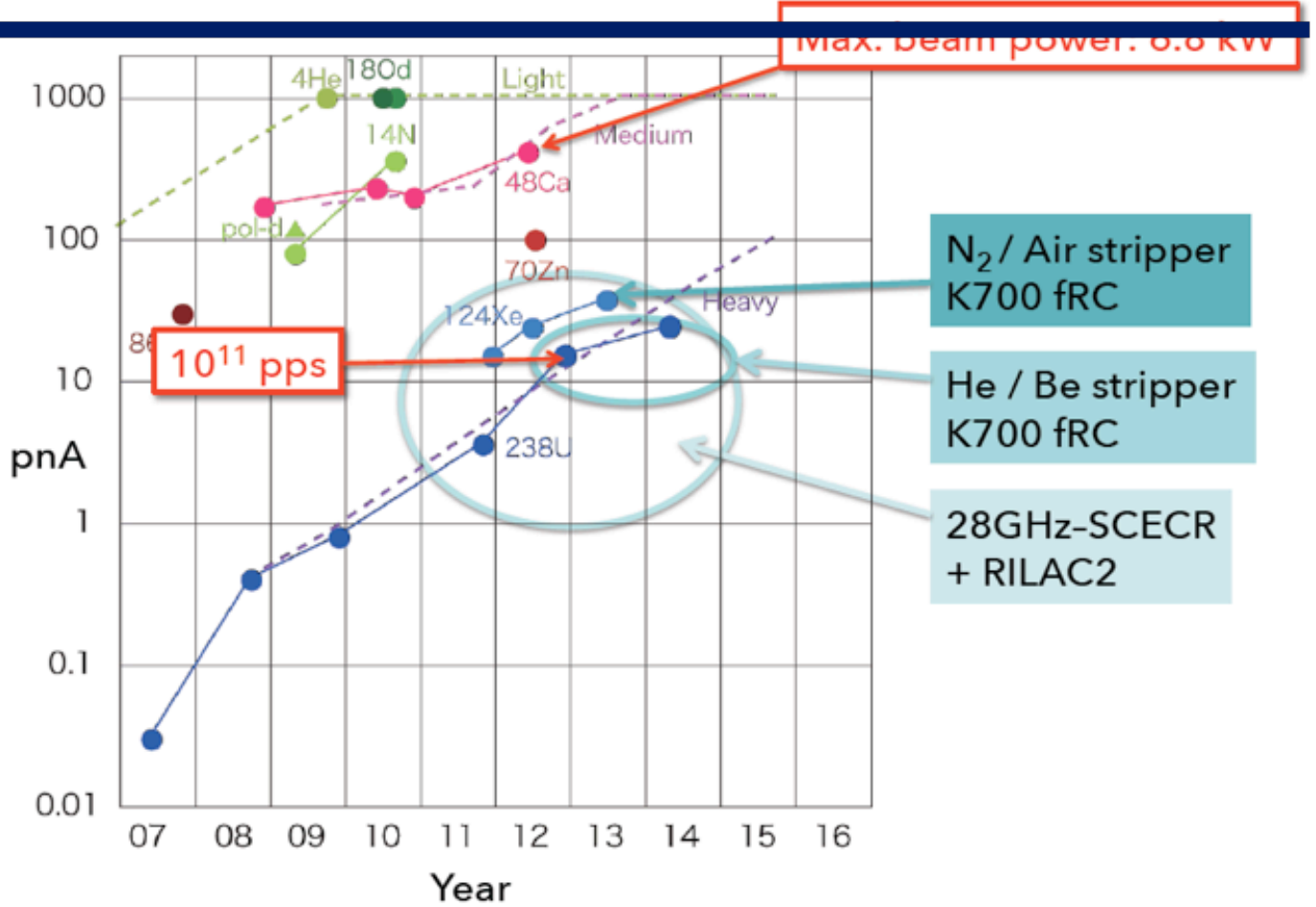
How do they coexist (or compete)?

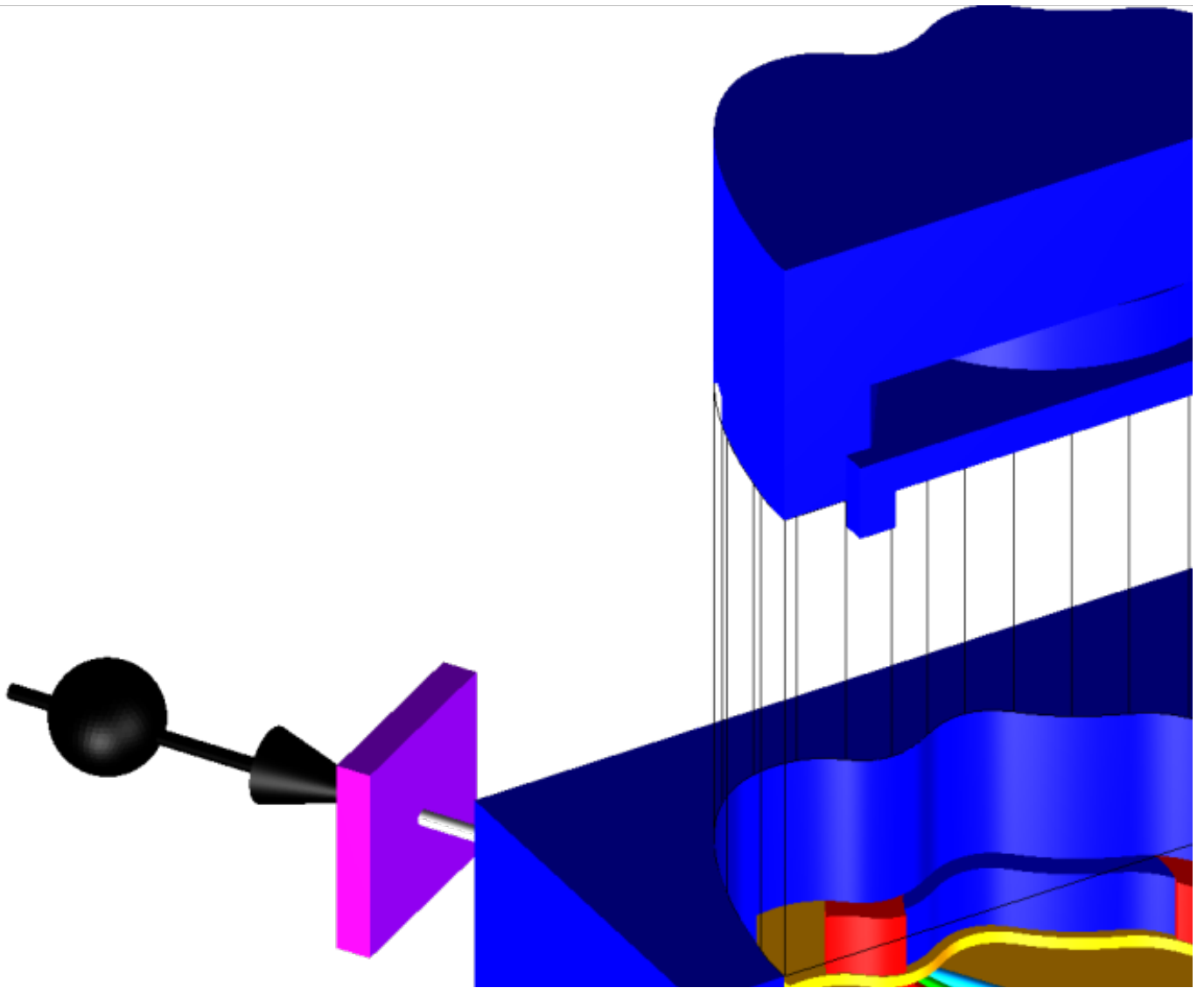
Or, more generally, two- and four nucleon correlations

pn correlation \Leftrightarrow α correlation

nn correlation \Leftrightarrow tetra-neutron correlation

Accelerator performance in 2014





Experiments at SAMURAI

Nakamura et al.,

Coulomb Breakup of

Future Plan



SAMURAI

