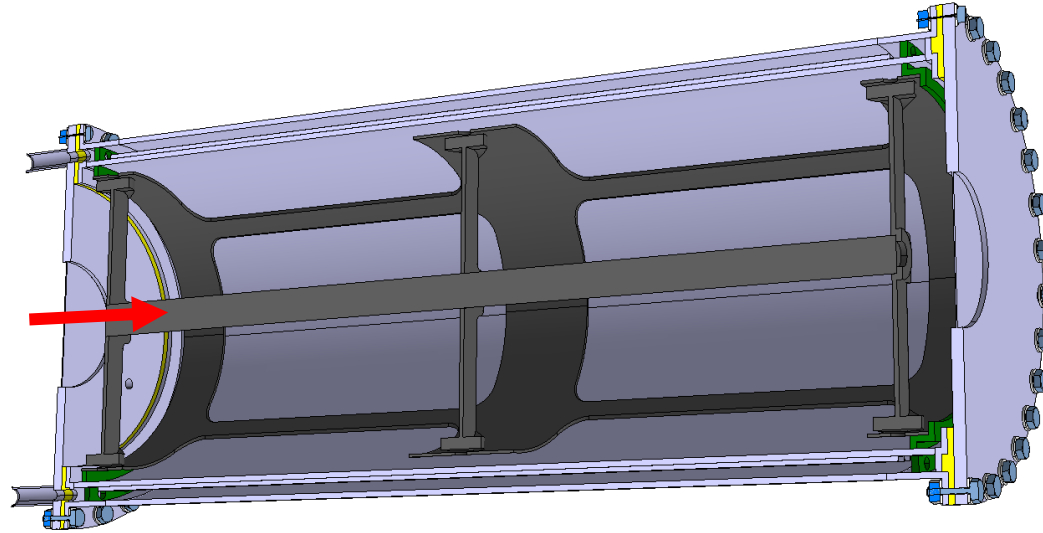




# Target Systems At The Front End Of The International Muon Collider

ID91



Lead Volume Fraction

