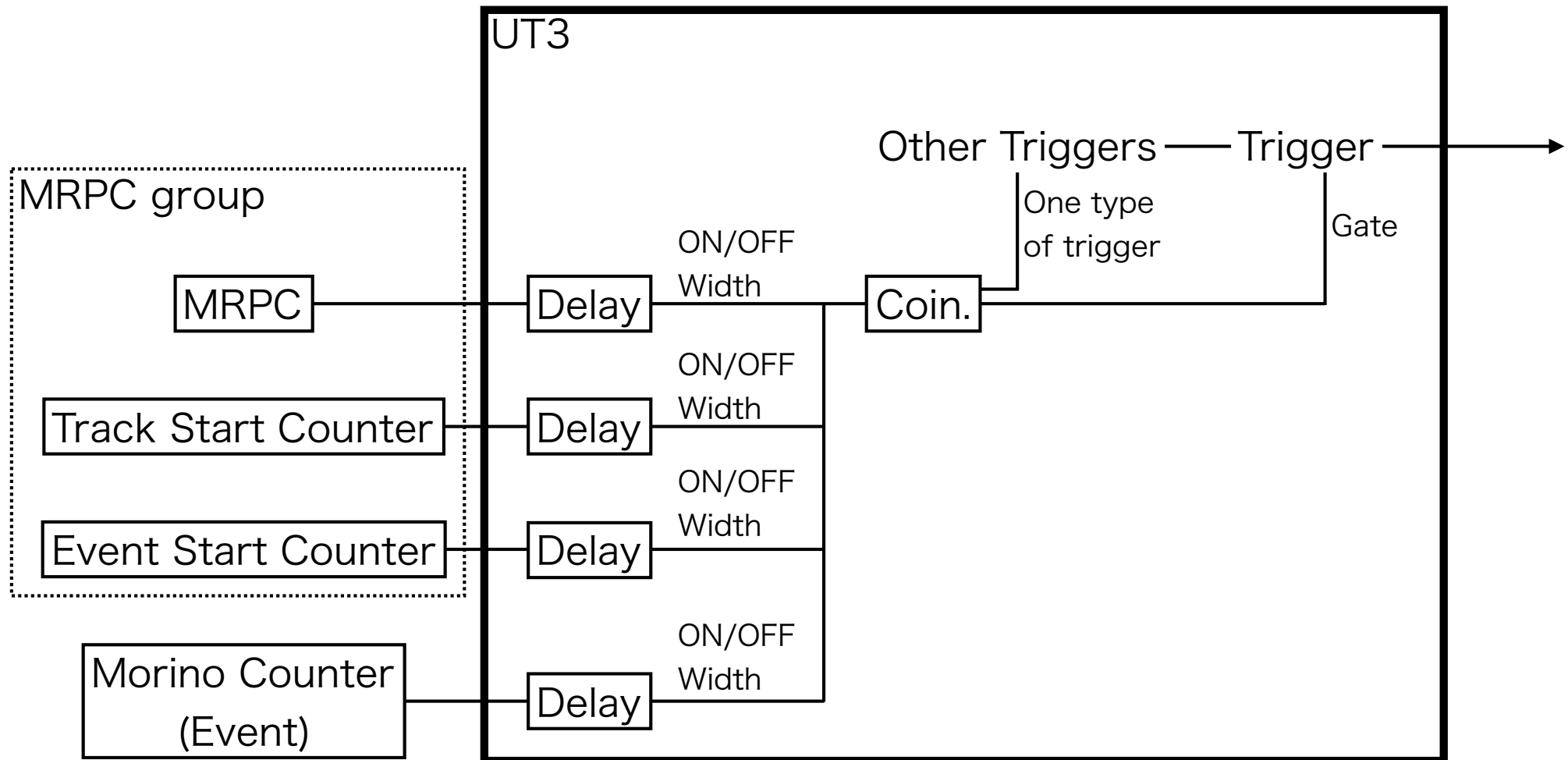


2020.1.22

M. Ichikawa

# Trigger

- Add UT3 DAQ Data (under debugging)
- Add NIM x Trigger coincidence.



# Cabling

## ○ Unwired

- GTR-ASD LV
- LG HV (x3)

- APVDAQ Operation Test (total 16 modules) by Honda-san
  - [https://indico2.riken.jp/event/3097/contributions/13969/attachments/9131/11732/test\\_with\\_xvb601.pdf](https://indico2.riken.jp/event/3097/contributions/13969/attachments/9131/11732/test_with_xvb601.pdf)
  - 13/16 modules is alive.
  - 9/13 modules can be applied FIR filter.
  - Need to borrow modules from Tsukada-san (Tohoku Univ.)