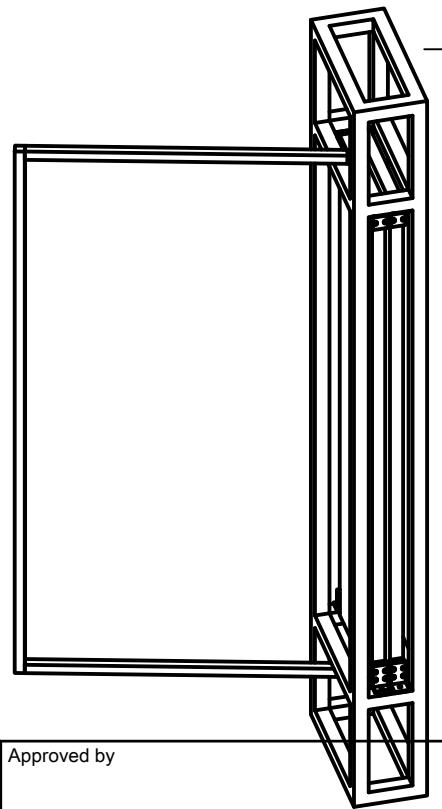
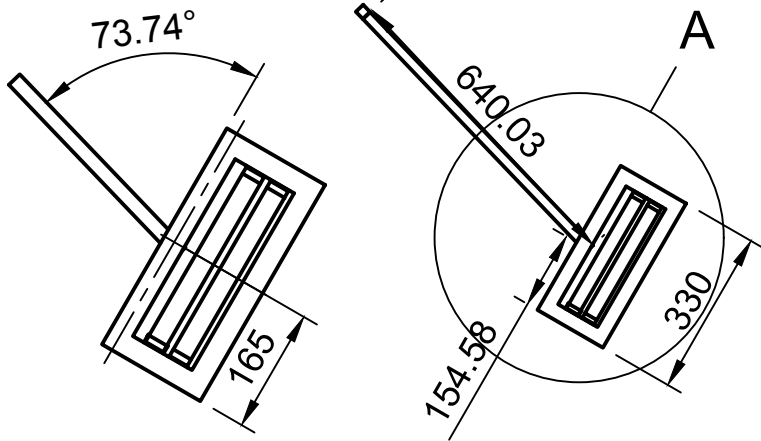


A (1:10) 拡大図



Dept.	Technical reference	Created by 喜屋武 奨之 2020/02/02	Approved by	
		Document type	Document status	
		Title magnet	DWG No.	
		Rev.	Date of issue	Sheet 1/1